

Specification sheet LX 961

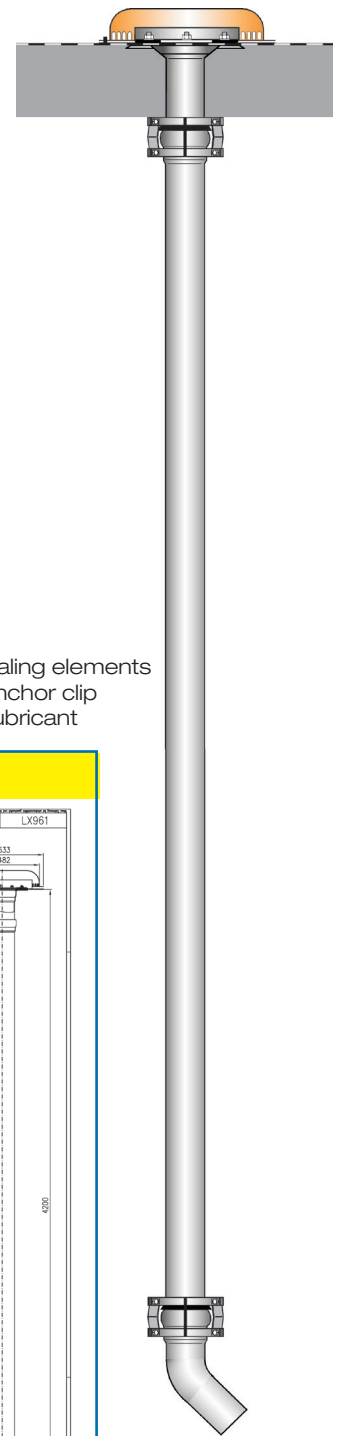
Roof drainage system
DRAINJET® Series 49 (DJ)

Emergency drainage

Siphonic flow

Silent Power

Discharge rate:	94,4 l/sec
Water height:	75 mm
Roof penetration:	-
Diameter:	DN 150
LX-Number:	LX 961
Weir height:	60 mm
Drain:	not ventilated
Downpipe:	not ventilated
Downpipe height:	min 4,2 m
Drainage:	on floor



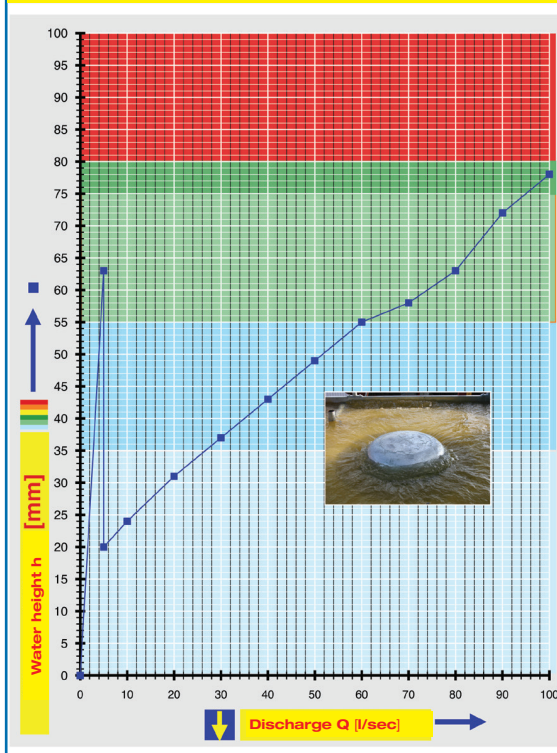
LX 961 Piece list

1 x Art.-No. choose drain on page two!

1 x Art.-No. 01011.150X, LORO-X Pipe with one socket
1 x Art.-No. 00320.150X, LORO-X Bend

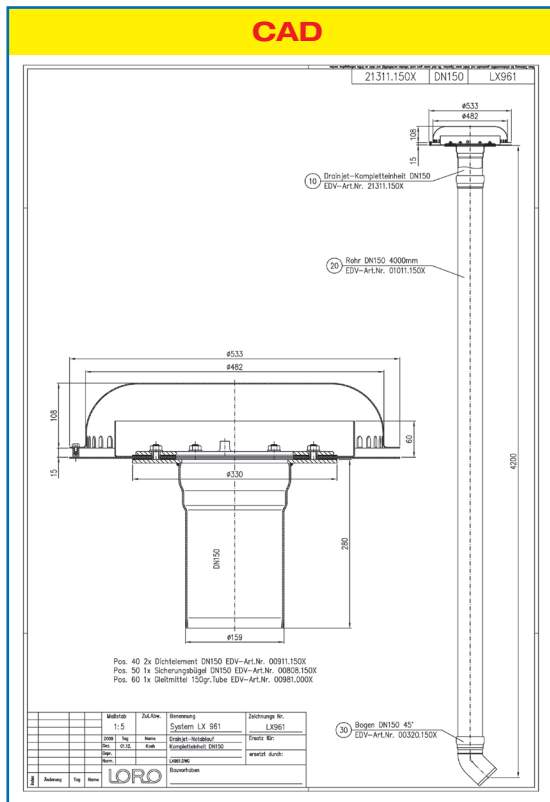
2 x Art.-No. 00911.150X, LORO-X Sealing elements
2 x Art.-No. 00808.150X, LORO-X Anchor clip
1 x Art.-No. 00986.000X, LORO-X Lubricant

hQ - Head Discharge curve



Systempower

CAD



Systemshape

Water height	mm	20	25	30	35	40	45	50	55	60	65	70	75	80	85	90		
Discharge	l/sec									2,5	82	87,8	94,4	100				
													Silent Power					

Choose drain for piece list on page one!

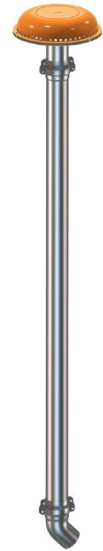
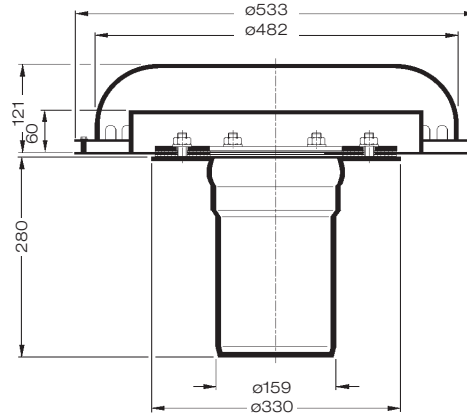
DN 150

without thermal insulation

LX961-5X

Drain Art.-No. 21311.150X

**with clamping flange
one-piece**
for bituminous and plastic
roofing sheets

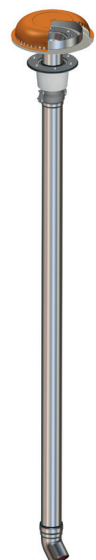
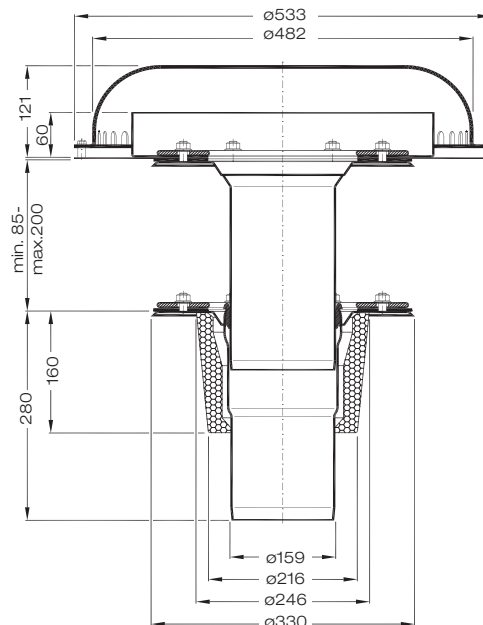
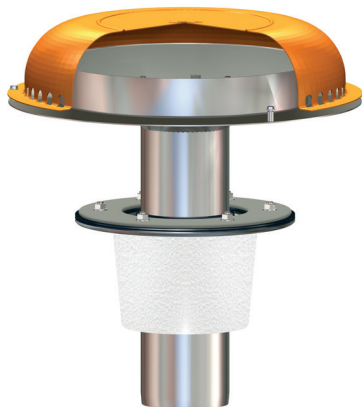


with thermal insulation

LX961-8X

Drain Art.-No. 21322.150X

**with clamping flange
two-piece**
for bituminous and plastic
roofing sheets



Please note:

For drainage systems with siphonic flow it is vital that only LORO-X pipes and fittings in the combination as indicated are used. Mixture or exchange of system parts may result in lower discharge capacities!. The height of the downpipe must be a min. 4.2m for the indicated capacity to be obtained. If roof drain and downpipe are fitted by different crews, then do follow the system setup acc. to the LX-data sheet at www.loro-x.com

Heat tracing: Lorowerk recommends to check all drains and pipes with regard to their frost-sensibility. Where necessary, these parts should be upgraded with heat tracing.